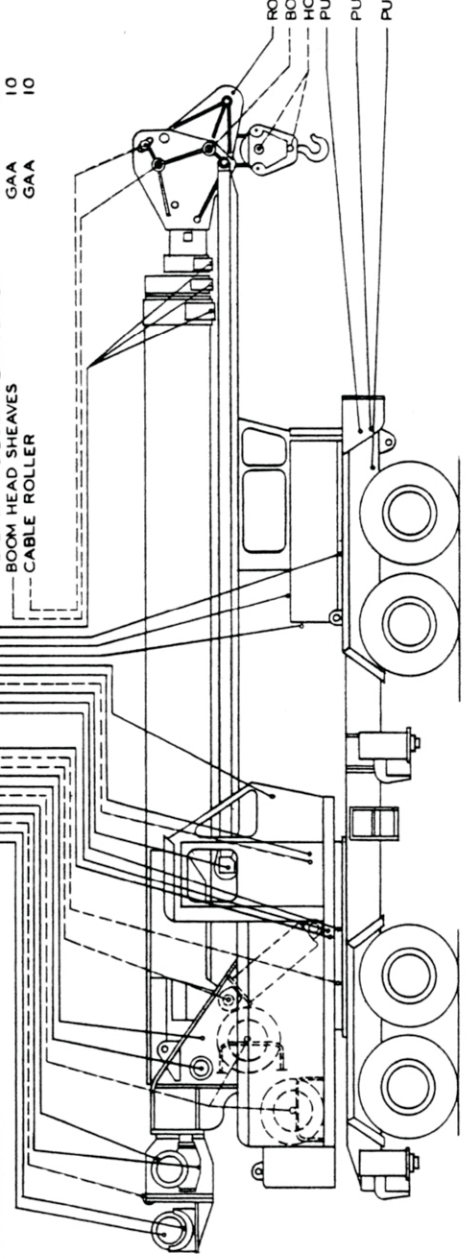


LUBRICANT	INTERVAL
GAA	50
GAA	10
GAA	50
GAA	50
GAA	10
GAA	10
GO	250
GO	1000
GAA	250
GAA	1000
GO	250

- NOTES**
- INTERVALS ARE BASED ON NORMAL HOURS OF OPERATION ADJUST TO COMPENSATE FOR ABNORMAL OPERATION AND SEVERE CONDITIONS. DURING INACTIVE PERIODS, SUFFICIENT LUBRICATION MUST BE PERFORMED FOR ADEQUATE PRESERVATION.
 - CLEAN FITTINGS BEFORE LUBRICATING.
 - OIL CAN POINTS EVERY 50 HOURS. CLEAN AND LIGHTLY COAT DOOR HINGES AND LATCHES AND CONTROL LINKAGES WITH OE.
 - CLEAN PARTS WITH SOLVENT. DRY CLEANING. OR WITH OIL, FUEL, DIESEL, DRY BEFORE LUBRICATING.
 - LUBRICATE POINTS INDICATED BY DOTTED ARROW SHAFTS ON BOTH SIDES OF EQUIPMENT.

LUBRICANT	INTERVAL
GAA	50
GO	50
GO	1000
GAA	10
GAA	50
GAA	50
GAA	250
GAA	250
OE	50
GO	1000
GAA	50
GAA	10
GAA	10



LUBRICANT	INTERVAL
GAA	10
GAA	10
GAA	10
GO	50
GO	1000
GAA	10

LUBRICANTS	CAR	EXPECTED TEMPERATURES	INTERVAL
OE OIL ENGINE, HEAVY DUTY	200 GAL	ABOVE +32°F TO -65°F	OE 10
HYDRAULIC TANK			OE 30
OIL CAN POINTS			OE 10
OE S OIL ENGINE, SUB-ZERO			OE S
HBA BRAKE FLUID, AUTOMOTIVE			
SWING BRAKE	1 PT.	ALL TEMPERATURES	
ACCELERATOR LOCK	1 QT.		
GO LUBRICATING OIL, GEAR	13 QT.		
AUXILIARY WINCH	1 QT.		
SWING GEAR CASE	11 QT.		
PUMP GEAR CASE	2 QT.		
GOS LUB. OIL, GEAR, SUB-ZERO			
GAA GREASE, AUTO., ARTILLERY			
* SEE WINCH MANUAL FOR MANUFACTURERS RECOMMENDATIONS WHEN WINCH IS OTHER THAN PETTIBONE.			

PETTIBONE TRUCK KRANE

LUBRICATION CHART

HANSON MACHINERY COMPANY
A SUBSIDIARY OF PETTIBONE CORPORATION
TIFFIN, OHIO U.S.A.



LUBRICATION CHART	SCALE	F	SY
DATE	11-5-71		
DRAWN BY	DK		
DWG NO.			