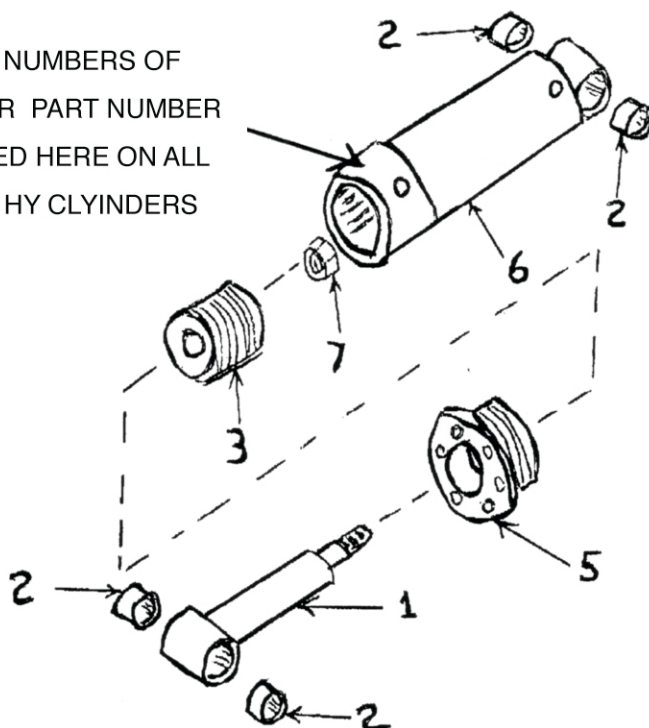


Prentice® Model 742 Grapple Cylinder Assembly- PR10070426

Parts interchangeable with Prentice® parts.

LAST NUMBERS OF
CYLINDER PART NUMBER
STAMPED HERE ON ALL
PR OR HY CLYINDERS



PR10070426 Cylinder Assembly

- 1. PR112189 Rod Assembly
- 2. PR102559 Bushing
- 3. PR10070422 Piston
- 5. PR10070406 End Cap
- 6. PR111245 Barrel Assembly
- 7. PR10037458 Locknut

PR10070119 Seal Kit (End Cap and Piston)

Note: Cylinder part no. 100358 is replaced by 10070426.

Note: Locknut part no. 10033610 is replaced by 10037458.